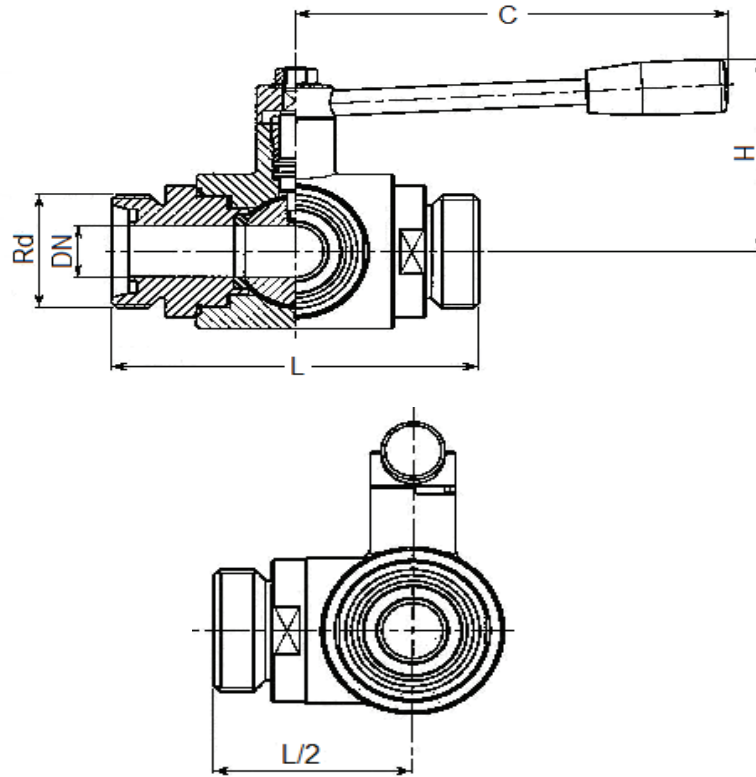
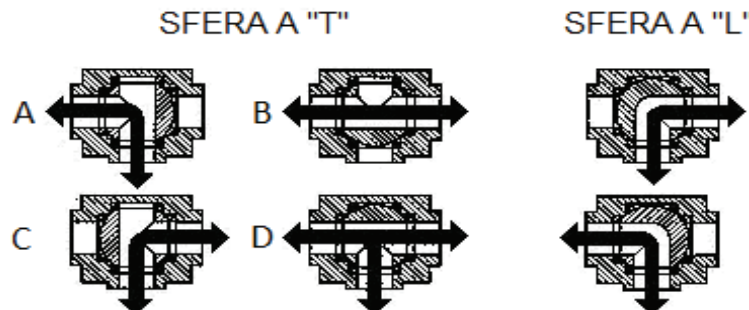


Part	Mat.	Descrizione - Description - Description - Beschreibung
1	Aisi 304/316	Corpo - Body - Corp - Ventil Körper
2	Aisi 304/316	Sfera - Ball - Boule - Kugel
3	Aisi 304/316	Attacco - Connection - Bout - Verbindung
4	Aisi 304/316	Perno - Pin - Tige - Zapfen
5	Teflon(PTFE)	Guarnizione - Seal ring - Joint - Dichtring
6	NBR/EPDM/SIL /FKM	O-ring - O-ring - O-ring - O-ring
7	Aisi 304/316	Dado - Nut - Erou - Mutter
8	Aisi 304/316	Maniglia - Handle - Poignée - Handgriff



Sfera con passaggio a T/L
Ball with T/L passage
Boule avec passage en T/L
Kugel mit T/L durchgang

**CONFIGURAZIONI POSSIBILI** (da richiedere in fase di preventivo/ordine)  
**CONFIGURATIONS** (to be specified on the quote / order)



DN	10	15	20	25	32	40	50	65	80	100
Rd	28 x 1/8"	34 x 1/8"	44 x 1/6"	52 x 1/6"	58 x 1/6"	65 x 1/6"	78 x 1/6"	95 x 1/6"	110 x 1/4"	130 x 1/4"
L	108	118	130	140	156	172	182	196	256	286
C	110	110	160	160	190	190	235	285	310	310
H	60	65	70	80	95	110	120	130	145	160
PN	40	40	40	40	40	40	25	25	16	16